



Water Quality Analyzer

On-Line Instruments

DH-96M



KI-YEON E&I CO.,LTD.

5F SAMJUNG B/D, 559-2 SINWAL6-DONH, YANGCHON-KU,SEOUL.KOREA
TEL : 82-2-2607-6375 FAX :82-2-2607-6376

Water Quality Monitoring Instruments

Microprocessor based pH&ORP meter

PH(ORP)-96M

PH(ORP)-96M micro-processor based pH or ORP indicator is designed for ideal application in Water and Waste Water Treatment facilities measuring pH or ORP parameters. Also compact unit can be applicable to food, beverage, chemical, pharmaceutical industries where water quality monitoring process is necessary. Compatible with DIN96 sized panel mounting type and compact designed with consideration of user to easy installation. Large LCD displays 10-digit pH or ORP value, 40-bar graph output by percentage, various image and message icons displays real time monitors the parameters. Proportional 0-20mA, 0-24mA, and 4-20mA galvanically isolated output and furthermore automatic holding function and water cleaning time settable program available. Automatic and manual calibration mode convert program benefit user calibrate instruments very easy. Maximum sensor cable length is 20m and when more than 20m, should be used junction box.



Features at a glance

- Micro-processor based large LCD display
- 0/4-20mA current output, galvanically isolated
- Two relay as limit contacts, one relay as alarm or wash contact
- 40-bargraph output percentage display
- Hold function freeze output current
- Automatic/ Manual temperature compensation
- Asymmetrical/ Symmetrical input operation

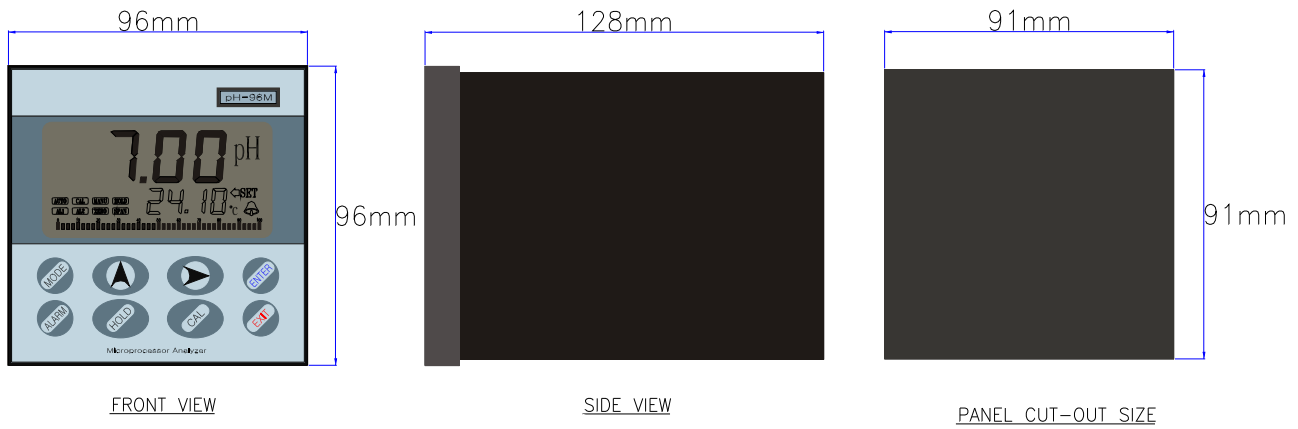
PH(ORP)-96M pH/ORP Transmitter / Controller

Measuring range	0.00 to 14.00 pH / -1000mV to +1000mV
Power supply(main)	AC100V / 220V 50-60Hz
Consumption	±10% 2VA
Display	10-Digit LCD / 40-bargraph percent output / Message&Image icons
Current output	Isolated 0-20mA, 0-24mA, 4-20mA dip s/w selectable
Accuracy	±0.1% of F.S.
Repeatability	0.01pH (±1mV)
Relay contact	High / Low AC250V 5A
Temperature coefficient	±0.002 pH / °C F.S. / ±0.2mV/ °C F.S.
Temperature compensation	Automatic / Manual without Temp. Sensor 0-100 °C
Ambient temperature	-30 °C to +70 °C
Ambient humidity	0 to 100% R.H.
Enclosure	IP 54
Materials	Polycarbonate
Mounting method	Panel
Range adjustment	Programmable automatic
Calibration	Automatic(pH4,7 buffers are automatically recognized), Manual
Dimensions (WxHxD)	96mm x 96mm x 128mm

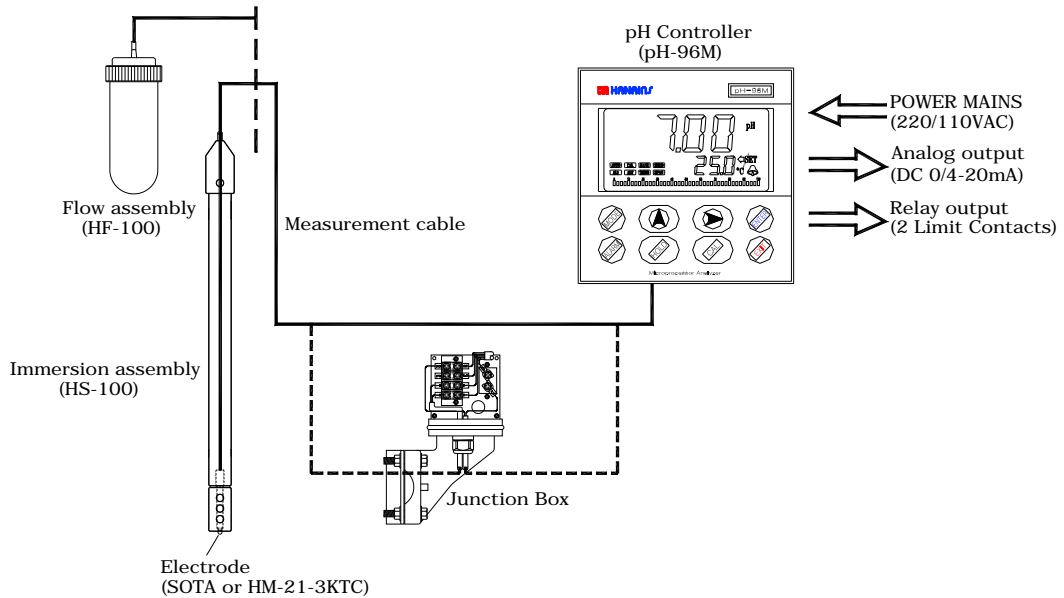
KI-YEON E&I CO.,LTD.

Water Quality Monitoring Instruments

Dimensions

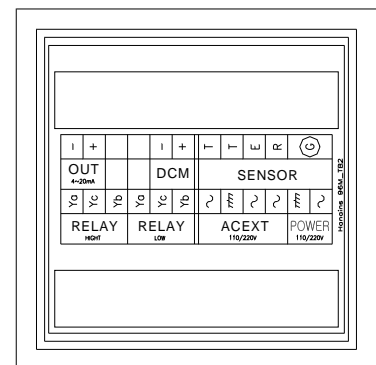


System Example



Electrical Connection

I	+			I	+			T	T	E	R	⊕
OUT 4~20mA			DCM			SENSOR						
Y _a	Y _c	Y _b	Y _a	Y _c	Y _b	~	///	~	~	///	~	
RELAY HIGH		RELAY LOW		ACEXT 110/220V			POWER 110/220V					



REAR VIEW

KI-YEON E&I CO.,LTD.

pH(ORP) ordering information

Code Description		
PH-830	Micro-processor field 2" pipe mounting type	Power : AC110/220V 50-60Hz
ORP-830	Micro-processor field 2" pipe mounting type	Power : AC110/220V 50-60Hz
PH-92	Field 2" pipe mounting type transmitter	Power : AC110 or AC220V or DC24V 2-wire
ORP-92	Field 2" pipe mounting type transmitter	Power : AC110 or AC220V or DC24V 2-wire
PH-92Ex	Two-wire isolated 4-20mA output Explosion-proof type with CSA,FM approvals	
ORP-92Ex	Two-wire isolated 4-20mA output Explosion-proof type with CSA,FM approvals	
PH-96M	DIN96 compatible size microprocessor based meter	Power : AC110/220V 50-60Hz
ORP-96M	DIN96 compatible size microprocessor based meter	Power : AC110/220V 50-60Hz

Measuring Range	
0	0-14 pH (± 700mV)
1	0-12 pH (± 1000mV)
2	User ordering range

Power Source	
A	AC110V 50-60Hz
B	AC 220V 50-60Hz
C	DC24V 2-Wire (Only PH(ORP)-92 available)

PH(ORP) Electrodes		
HSOTA	General purpose glass pH sensor	HSOTA-ORP
HM-21-3KTC	General purpose PPS(Ryton®) body industrial electrode	HM-21-ORP
HM-50-3KTC	Stainless steel ground loop pH sensor	
HM-55-3KTC	Stainless steel solution ground pH sensor	
Antimony or others according to process condition		

Sensor mounting holder Type	
S	Submersion mounting
F	Flow-through mounting
I	In-Line mounting

* Flow-through and in-line type holders are custom designed, please contact Kiyeon

Submersion Holder Monting Accessories	
HS-100	L-Rack mounting type (Standard)
HS-200	1/2" Screw joint type
HS-300	JIS 10K 25A flange type

Submersion Holder Materials	
A	PP
B	SUS 304
C	SUS 316

Submersion Holder Length			
0	500mm	4	2500mm
1	1000mm	5	3000mm
2	1500mm	6	User ordering length
3	2000mm		

Automatic Cleaning Device	
U-1	Ultrasonic cleaner HUC-600S Power : 110V AC 50-60Hz
U-2	Ultrasonic cleaner HUC-600S Power : 220VAC 50-60Hz
W-1	Water-Jet nozzle assembly (when PH-830 controller)
W-2	Water-Jet nozzle assembly with HWJ-600 controller
N	None

PH-830	0	B	HM-21-3KTC	S	HS-100-A-1	U-1
--------	---	---	------------	---	------------	-----

Typical model number

Distributed by

* Specifications are subject to change without notice